

Grafos Steel S.r.l.
 Via Treves 19/21
 41043 Formigine (MO) ITALY
 Tel. +39.059.57.50.267
 www.grafossteel.it

Date:
 05/03/2014

Material:

Title:
 2 buttons (Q12) DIGI-Inox keyboard with capacitive touchpad in metal enclosure; USB connection

P/N: **DGI.02Q12.T-TP**

Rev: File:
 DGI.02Q12.T-TP (data-sheet).idw

Dimensions without indicated tolerances - precision according to:
ISO 2768 F

| Tolerance class | Lenght (mm) | | | |
|-----------------|-------------|-------|---------|----------|
| | >0 - 6 | >6-30 | >30-120 | >120-400 |
| C (Coarse) | ± 0.2 | ± 0.5 | ± 0.8 | ± 1.2 |
| M (medium) | ± 0.1 | ± 0.2 | ± 0.3 | ± 0.5 |
| F (Fine) | ± 0.05 | ± 0.1 | ± 0.15 | ± 0.2 |

Surface treatment:

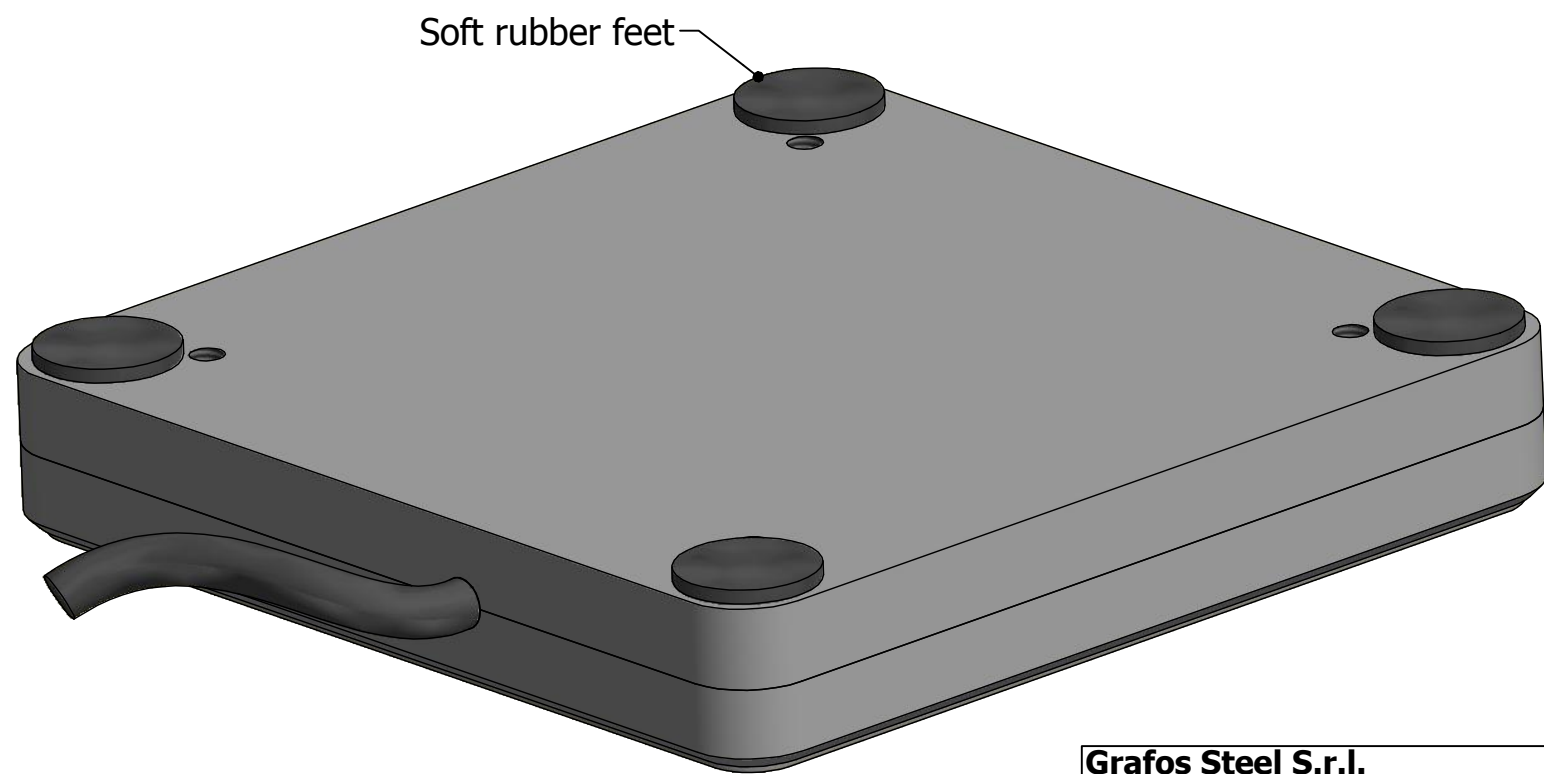
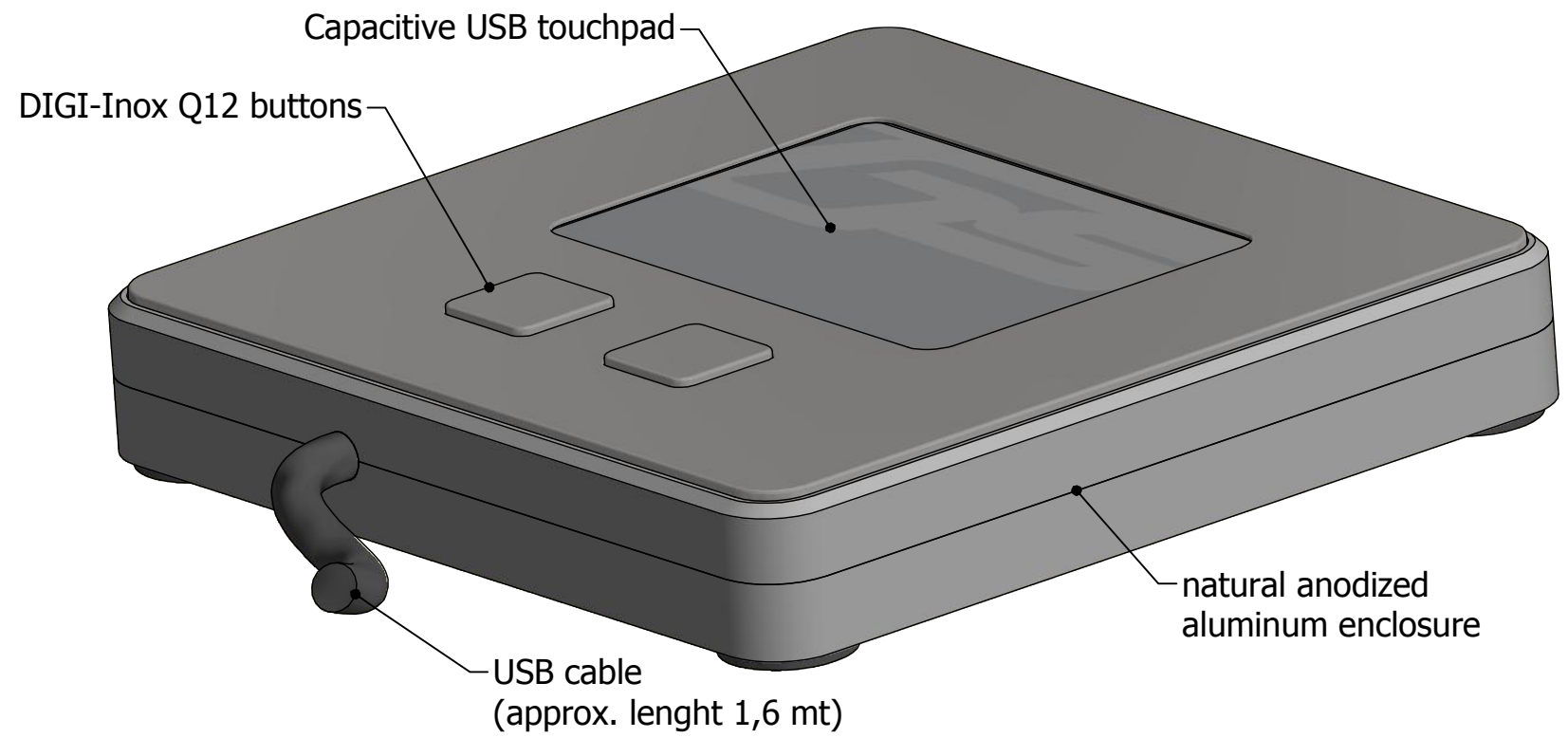
Drawn:
A. Tosi

Approved:

Sheet: 1 Of: 2

UNLESS OTHERWISE SPECIFIED, DIMENSIONS ARE IN MILLIMETERS

| | |
|------------------------|---|
| Material | AISI 316L Stainless Steel (2,00 mm thick) front plate; AISI 316L Stainless steel (1,5 mm thick) buttons with built-in silicone rubber sealing gasket; natural anodized aluminum enclosure |
| Button stroke | 0,6 mm +/- 0,1 mm |
| Actuation force | 4,0 N (typical) |
| Life expectancy | >3.000.000 cycles |
| IP Protection rate | IP65 |
| Impact Protection Rate | IK08 |
| Contact technology | Stainless steel metal dome on Gold plated PCB |
| Contact resistance | <30 Ohm |
| Insulation resistance | >500K Ohm |
| Connection | USB |
| Operating temperature | -25°/+85°C |
| Storage temperature | -25°/+85°C |



| | | | | | | | |
|--|---|-----------------|--|-----------------|---------------------------------------|-----------|-----------|
| Grafos Steel S.r.l. Via Treves 19/21 41043 Formigine (MO) ITALY Tel. +39.059.57.50.267 www.grafossteel.it | Title: 2 buttons (Q12) DIGI-Inox keyboard with capacitive touchpad in metal enclosure; USB connection | | | | | | |
| | P/N: DGI.02Q12.T-TP | Rev: | File: DGI.02Q12.T-TP (data-sheet).idw | | | | |
| Date: 05/03/2014 | Dimensions without indicated tolerances - precision according to: ISO 2768 F | Tolerance class | Lenght (mm) | | Drawn: A. Tosi Approved: | | |
| | | C (Coarse) | >0 - 6 | >6-30 | | >30-120 | >120-400 |
| | | M (medium) | ± 0.2 | ± 0.5 | | ± 0.8 | ± 1.2 |
| | | F (Fine) | ± 0.1 | ± 0.2 | | ± 0.3 | ± 0.5 |
| Material: | Surface treatment: | | | Sheet: 2 | Of: 2 | | |

UNLESS OTHERWISE SPECIFIED, DIMENSIONS ARE IN MILLIMETERS