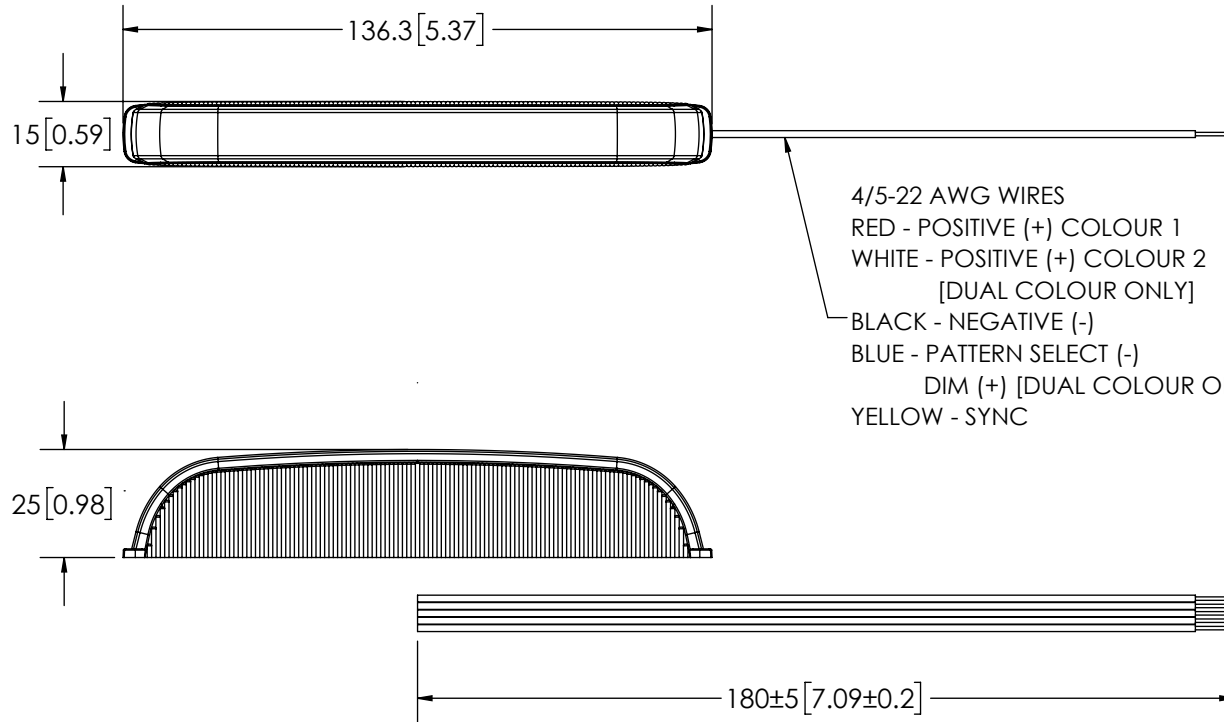


REVISION HISTORY		
REV.	DESCRIPTION	DATE
02	REVISED PER LL0171	2018-03-09
03	REVISED PER LL0171	2018-03-12
A	INITIAL RELEASE PER LL0171	2018-03-12



SPECIFICATIONS

- CERTIFICATIONS: ECE R65 & R10; SAE J595 (SEE CHART) IP67
 Note: Unique components, accessories, and hardware kits are not typically included in the Product Certification Test Protocols. Unless otherwise specified, the Product Certifications referred to herein are predicated upon the base product model configuration.
- FLASH MODE: HEX: SINGLE: 75 ± 5 FLASHES PER MINUTE
 SINGLE: 125 ± 5 FLASHES PER MINUTE
 DOUBLE: 75 ± 5 FLASHES PER MINUTE
- VOLTAGE (NOMINAL): 12/24 VDC
- VOLTAGE (EXTREME): 10 - 30 VDC
- CURRENT (PEAK): 0.76A (@ 12VDC NOMINAL)
- POWER (MAXIMUM): 9.1W (@ 12 VDC NOMINAL)
- TEMPERATURE RANGE: -30°C (-22°F) TO 50°C (122°F)
- CONNECTION: 22 AWG LEAD WIRES
- MOUNTING: 2 BOLT MOUNTING
- LENS MATERIAL: POLYCARBONATE
- PRODUCT WEIGHT: 1.10 Lbs. (0.1 Kg)

FGS PRODUCT CHART			
FGS P/N	COLOUR	ECE R65	SAE J595
CD5050A	AMBER	CLASS 1	CLASS 1
CD5050B	BLUE	CLASS 1	CLASS 1
CD5050R	RED	N/A	CLASS 1
CD5050C	CLEAR	N/A	CLASS 1
CD5050AB	AMBER/BLUE	CLASS 1	CLASS 1
CD5050AC	AMBER/CLEAR	CLASS 1	CLASS 1
CD5050AR	AMBER/RED	CLASS 1	CLASS 1
CD5050BC	BLUE/CLEAR	CLASS 1	CLASS 1
CD5050RB	RED/BLUE	CLASS 1	CLASS 1
CD5050RC	RED/CLEAR	N/A	CLASS 1


DISCLAIMER

DIMENSIONS, ILLUSTRATIONS, SPECIFICATIONS, AND CERTIFICATIONS CONTAINED IN THIS DOCUMENT ARE TYPICAL OF THE ACTUAL PRODUCT AND ARE SUBJECT TO CHANGE. ECCO ENGINEERING DOES NOT MAINTAIN FORMAL DESIGN CONTROL OF THIS PRODUCT.

MOUNTING DISCLAIMER

MOUNTING IS CUSTOMER SPECIFIC. MEASURE BEFORE DRILLING (SEE FITTING INSTRUCTIONS).

- NOTES:
 1. ROHS COMPLIANT
 2. DIMENSIONS IN MILLIMETERS [INCHES (FOR REFERENCE)]

SCALE 1:1.75		APPROVALS	DATE	 ECCO ® www.eccolink.com Americas (800) 635-5900 Europe +44 (0)113 237 5340 Asia Pacific +61 (0)3 63322444
CAD GENERATED DRAWING DO NOT MANUALLY UPDATE. MODEL REFERENCED: 01		DRAWN BY: MDG	2018-03-12	
TOLERANCES ARE IN INCHES, AND MILLIMETERS TOLERANCES UNLESS OTHERWISE STATED ARE:		CHECKED: JUP	2018-03-12	
MILLIMETERS DECIMALS XX ± 1.0mm XX.X ± 0.5mm	INCHES DECIMALS X.X ± 0.1 X.XX ± 0.04 X.XXX ± 0.02	MECH. ENG.		
THIRD ANGLE PROJECTION		ELEC. ENG. MMG	2018-03-12	
		TEST ENG. DFG	2018-03-12	
		SALES.		
Electronically Controlled Use Latest Copy				
SHEET 1 OF 1		Project: LL0171	Date Created: 2018-03-05	PRODUCT SERIES: ED5050 SIZE: A4 DWG. NO. ED5050XX REV. A